

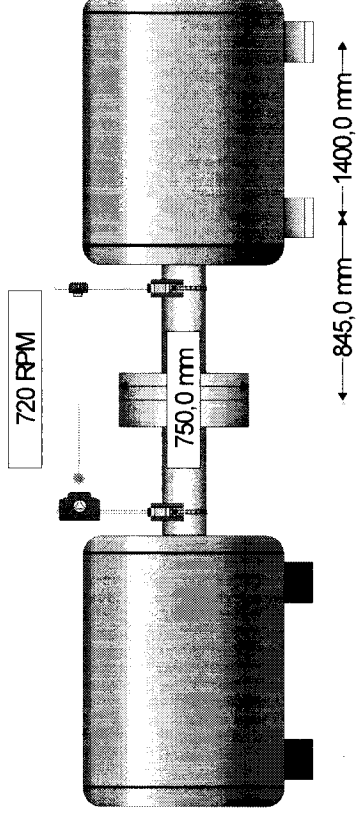
File information

Filename: chiquita italia gen 3

Machine description

Item: Name: Fixation:
 Machine 1 : Standard Four feet
 Coupling 1 - 2 : Short flex
 Machine 2 : Standard Four feet

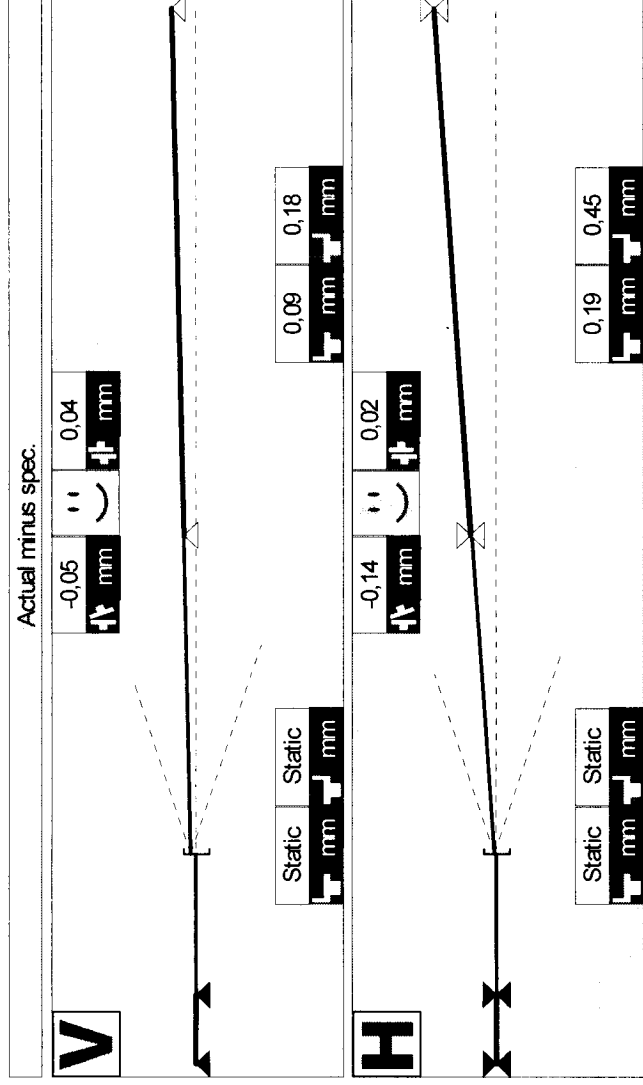
Dimension Setup



Machine dimension

Coupling 1 - 2 :	
Coupling Diameter	750,0 [mm]
Distance to left machine	--- [mm]
Distance to right machine	845,0 [mm]
RPM	720 RPM
Machine 1 :	
Distance left foot to right foot	--- [mm]
Machine 2 :	
Distance left foot to right foot	1400,0 [mm]

Result Graphic



Foot correction values

Machine No. 1 :			
Machine No. 2 :			
Left foot	vertical	-0,09	[mm]
Right foot	vertical	-0,18	[mm]
Left foot	horizontal	-0,19	[mm]
Right foot	horizontal	-0,45	[mm]

Coupling results

	Act.-Spec.	Actual
Coupling 1 - 2 :		
Gap vertical	-0,05	[mm]
Offset vertical	0,04	[mm]
Gap horizontal	-0,14	[mm]
Offset horizontal	0,02	[mm]

Measurements

Coupling 1 - 2 :			
Distance Laser - Prism	210,0	[mm]	
Distance Laser - Coupling Reference	105,0	[mm]	
# Sweep	V Gap -0,05 [mm]	V Offset 0,04 [mm]	H Gap -0,14 [mm]
	H Offset 0,02 [mm]	Date / Time	23/09/2010 - 11:53:51

Coupling targets

Coupling 1 - 2 :	
No targets	

Soft foot values

Machine No. 1 :
No soft foot values available
Machine No. 2 :
No soft foot values available

Thermal growth

Left foot Right foot

Machine No. 1 :
No Thermal growth defined!
Machine No. 2 :
No Thermal growth defined!

Tolerances

Coupling 1 - 2 :
Source: Default Acceptable Excellent
Gap 0,98 0,68 [mm]
Offset 0,19 0,09 [mm]
Standard tolerances